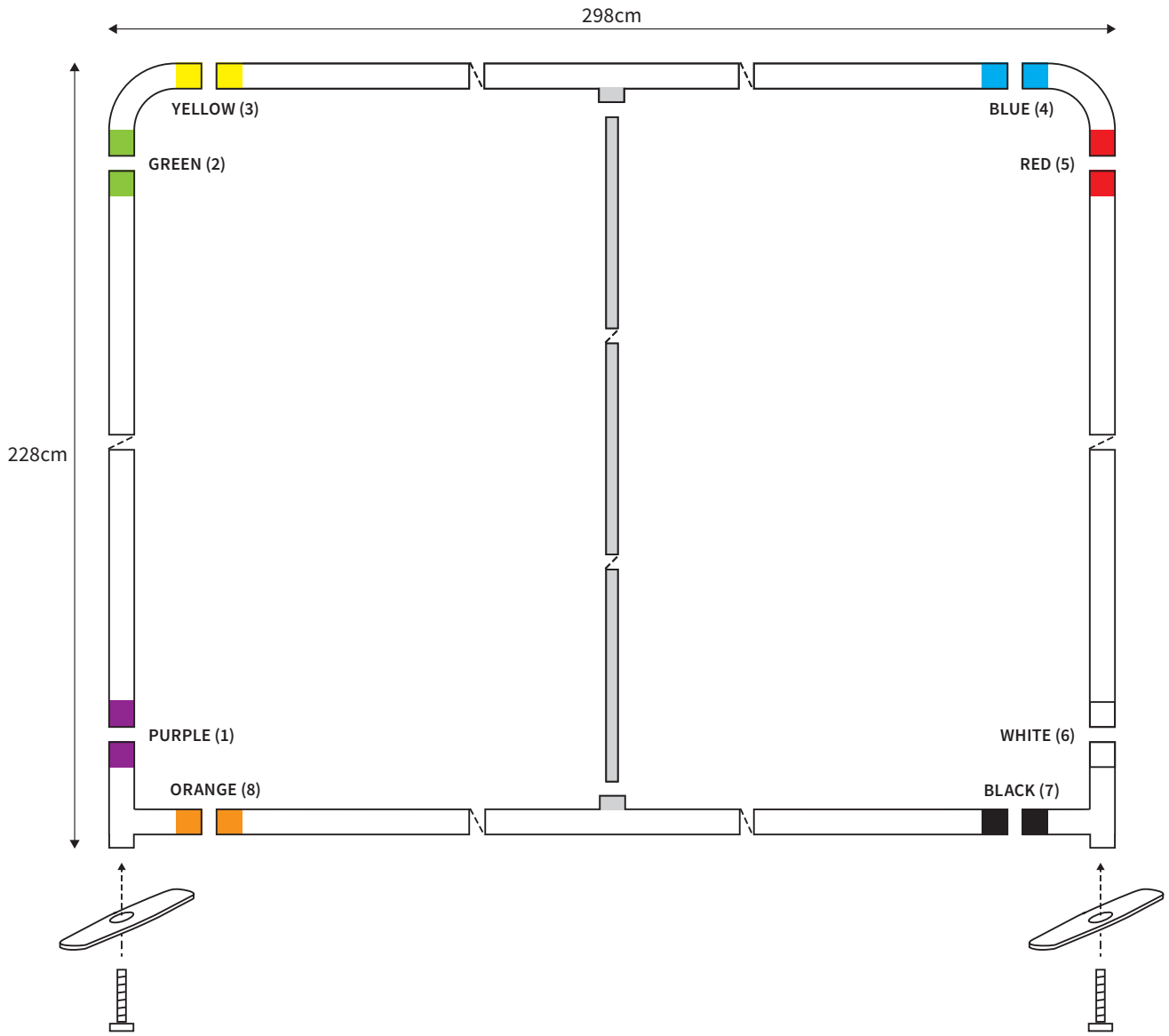

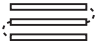



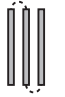




# MANUAL

**SHAPE** STRAIGHT  
**WIDTH** 298cm  
**HEIGHT** 228cm



## PARTS LIST

	2x	TOP CORNER		2x	TUBE HORIZONTAL ( $\varnothing$ 34mm )
	2x	BOTTOM CORNER		2x	TUBE VERTICAL ( $\varnothing$ 34mm )
	2x	FOOT		1x	TUBE SUPPORT ( $\varnothing$ 24mm )
	2x	SCREW ( M8 )			
	1x	HEXA-KEY ( M8 )			