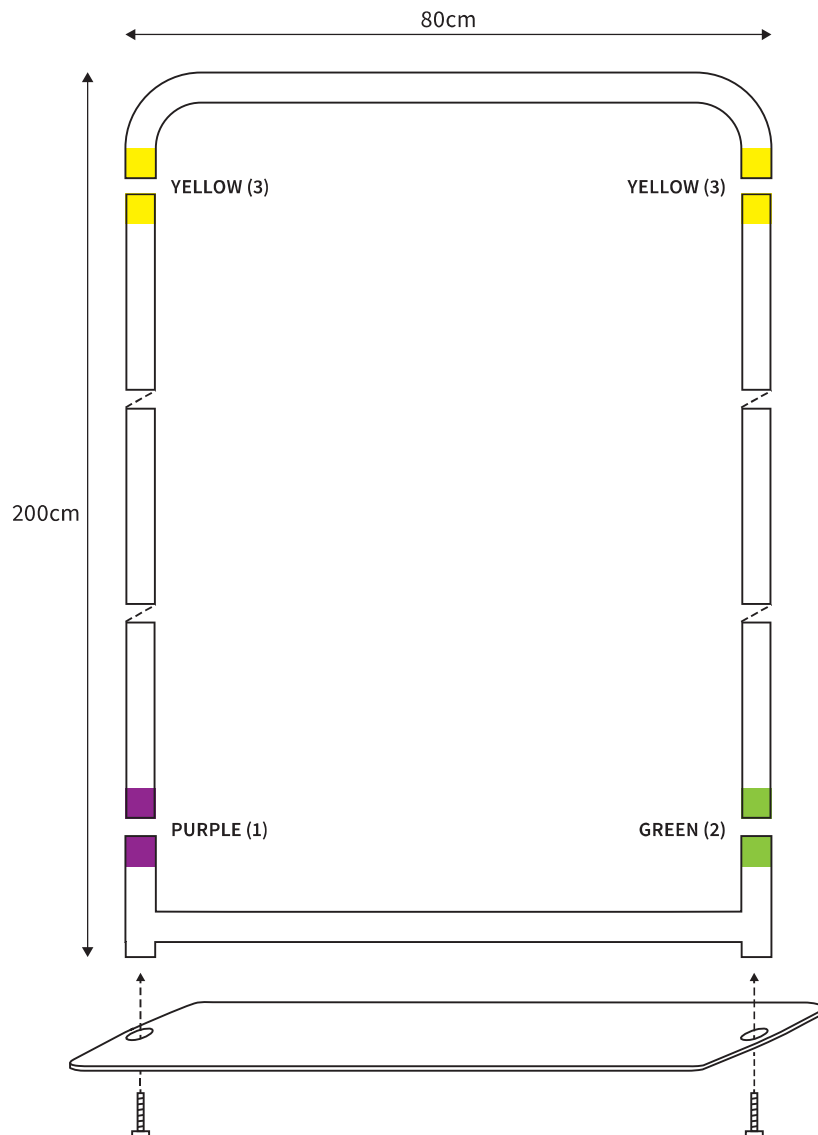








# MANUAL

**SHAPE** BANNER  
**WIDTH** 80cm  
**HEIGHT** 200cm



## PARTS LIST

	1x	STEELPLATE		1x	TOP CORNER
	2x	SCREW ( M8 )		1x	BOTTOM CORNER
	1x	HEXA-KEY ( M8 )		2x	TUBE VERTICAL ( ø 34mm )